

# Amphenol

## CTOS

Tactical Multiway  
Expanded Beam Connector

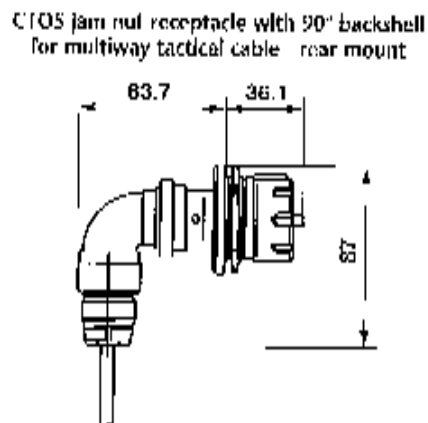
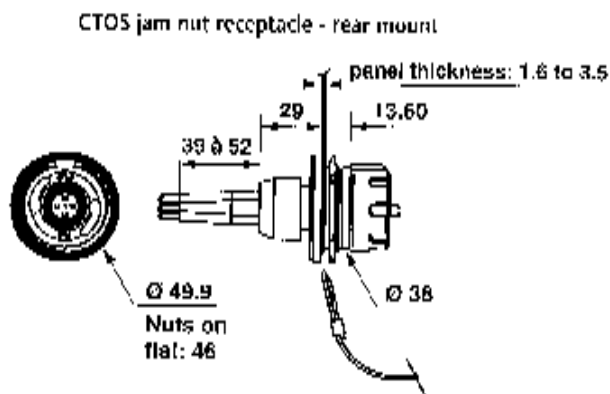
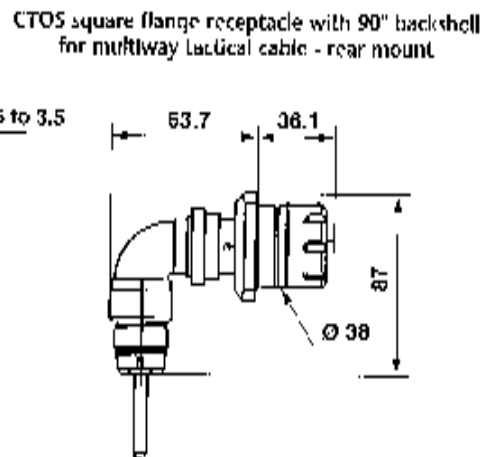
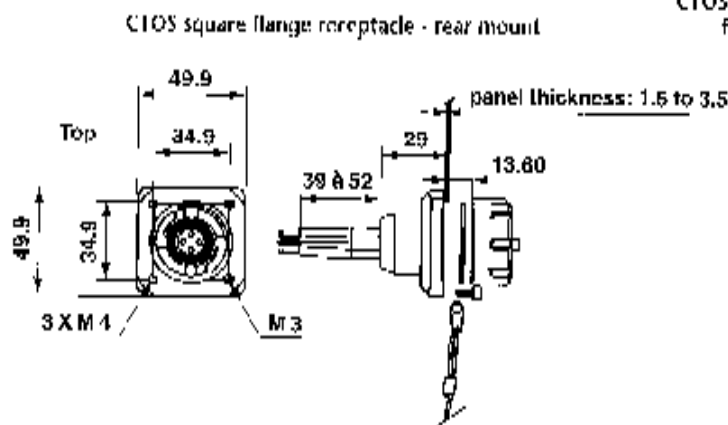
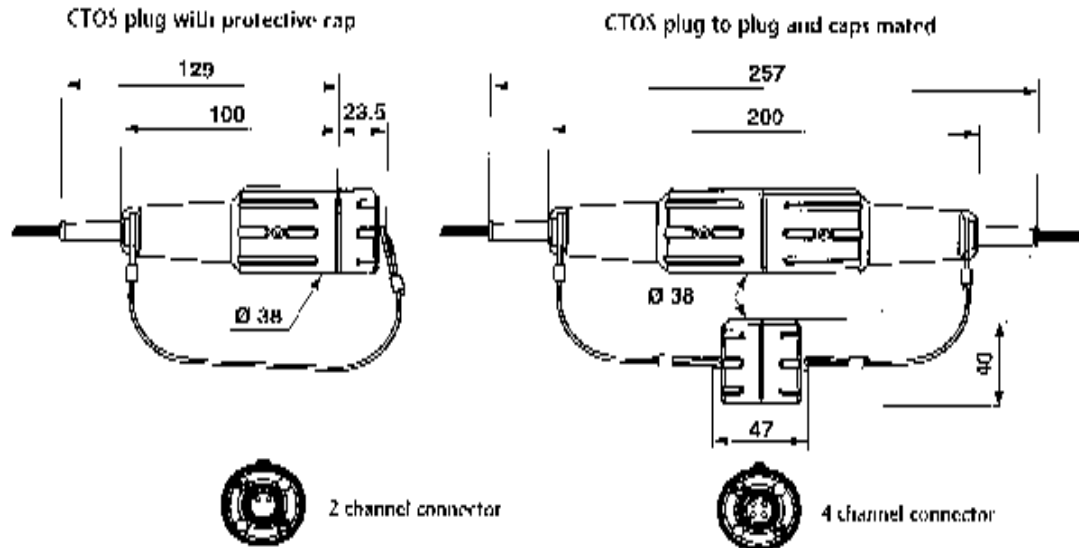


Amphenol offer an extremely rugged Harsh Environment Expanded Beam Connector, which is qualified to Stanag 4920, available with the following:

- Hermaphroditic 2 & 4 way optical interface.
- Protective glass window.
- Expanded beam technology using collimating lenses.
- Extremely low insertion loss.
- Watertight connectors.
- Available in multimode and singlemode.

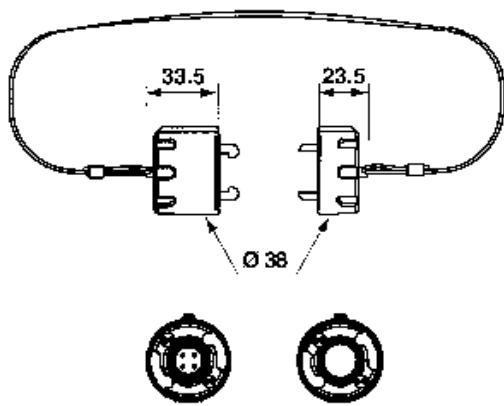
# Amphenol

Technical Information

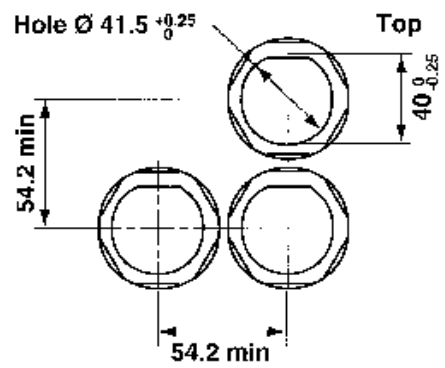
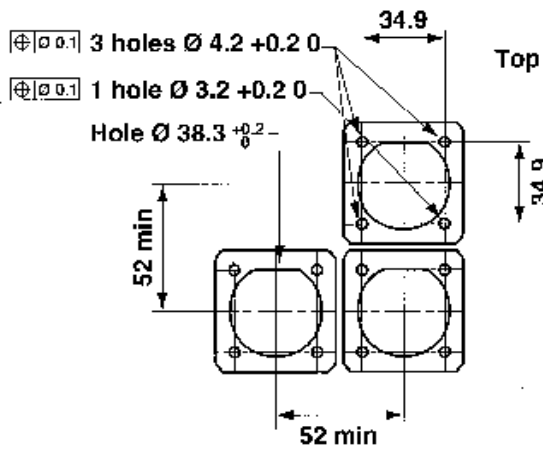
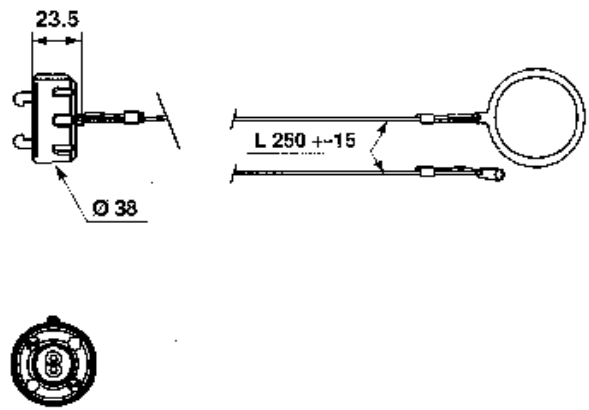


Technical Information

CTOS Shunt attenuating cap and protective cap for plugs



CTOS Shunt attenuating protective cap and protective cap for receptacles



**Part Number Information**

Optical	
Attenuation loss	Typically 2dB using 50/125 µm fibre
Fibre types	50/125, 62.5/125 and 8/125
Operating wavelength	850 µm and 1300 µm

Environmental	
Temperature range	-40°C to +85°C
	Cable dependant

Mechanical	
Durability	5000 mating to unmating cycles
Materials	Seamless steel body with rubber shell

Please consult factory for further details. Please be aware that the CTOS is now also available in a singlemode version.



Please consult factory for information and details on Deployable Cable Drums.

For further information on cables, connectors and assemblies please consult your local office. Product specifications and performance characteristics are typical only, and subject to change.

**Notice:** Products are sold subject to Amphenol's conditions of sale ("the standard conditions"). All specifications and statements contained herein are believed to be correct at the time of printing, but no representation or warranty, express or implied, is given as to any specification or statement contained herein. Product specifications including performance characteristics are typical only and subject to deviation. Specifications are also subject to change without notice. Users should not assume that all safety measures are indicated or that other measures may not be required. No representation or warranty, express or implied, is given that any use of products (including any stated or suggested use) does not infringe any patent, registered design or other third party rights and no stated or suggested use of products can be taken to recommend any such infringement.